

EAGLE PRO I 2042 9ft Service Body Standard Specifications

Body Materials

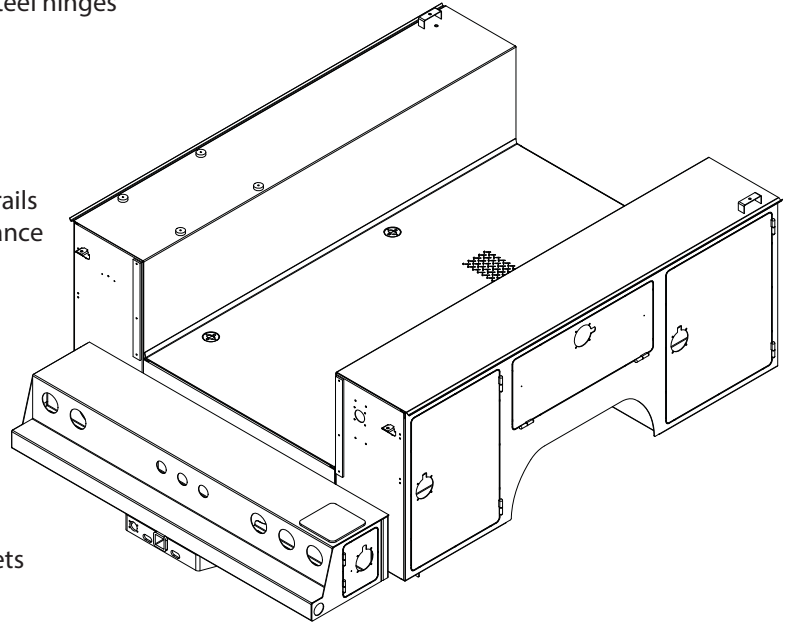
- 14 ga A60 galvaneal cabinets with stitch weld construction
- 14 ga A60 galvaneal cabinet floors
- 11 ga A60 galvaneal single panel doors with stainless steel hinges
- 3" C channel long sills run full length
- 12 ga 1.5" x 4" formed cross rails on 14" centers
- 11 ga A60 galvaneal treadplate deck floor

Body Dimensions

- 95" Max Cabinet width, 98" Overall Body Width @ drip rails
- 20" Overall cabinet depth with 18.5" inside depth clearance
- 42" Overall cabinet height with 36" inside clear height
- 55" x 107" Deck Area
- 24" Deck Side Height
- 16" workbench with full through cabinet, 6" step and integrated vise mount

Standard Features

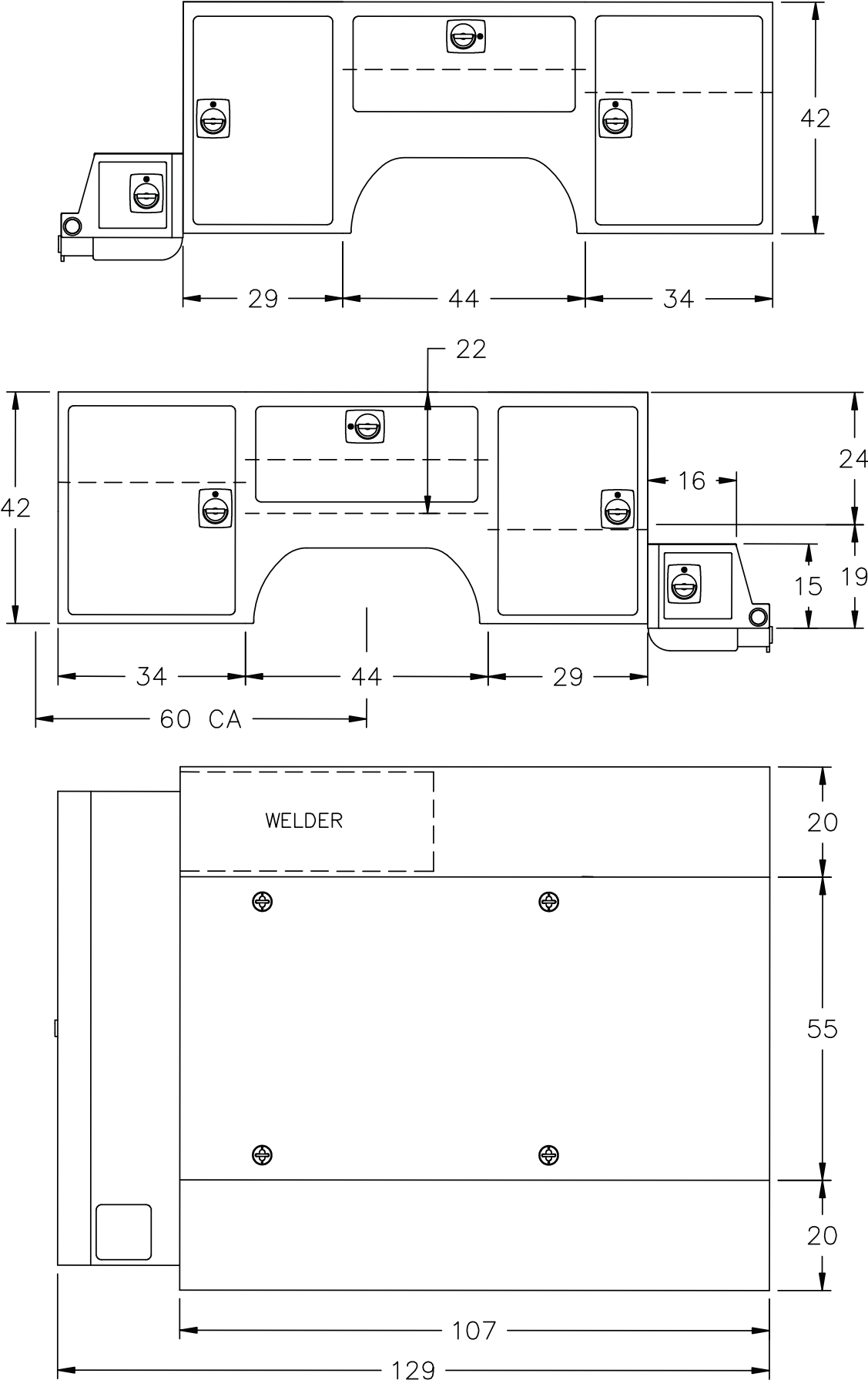
- Designed for Class 3 to 5 dual rear wheel 60 CA chassis with 13.5 or 19.5 tires & 13K GVW minimum
- Stainless steel full height chip guard on fronts of cabinets
- 84 Cubic feet of storage capacity
- Full length rain gutter over cabinets
- Galvanized infinitely adjustable shelving - 250 lb capacity
- 5 shelf kit
- Stainless steel spring loaded door checks
- 3 Point compression locking D style door handles made of stainless steel
- Handles are polished and are blind mounted with gaskets and are keyed alike
- (4) Flush mounted cargo tie downs - 3500 lb capacity
- Automotive bulb, steelbacked weather stripping between doors and cabinets
- All wiring is point to point seamless and protected in automotive loom. Sealed crimp connections are used to guard against moisture exposure
- Body is fully sanded, chemically washed and prepped prior to paint
- Bodies receive a 3 step Paint Process with PPG Delfleet Polyurethane topcoat - exterior and interior
- Body is fully undercoated
- LED Lights and reflectors are mounted per DOT specifications
- Body mounted back-up alarm
- 2-1/2" Receiver hitch- Class V rated @ 1,800 lbs tongue weight and 18,000 lbs gross trailer weight
- Standard mounting points for welder
- Mud Flaps



Options

- Rollout Drawers, additional shelves, dividers and bolt bins
- Stainless steel slide in Tailgate or Single Hand fold down tailgate
- Interior and Exterior work lighting - incandescent or LED
- Welder
- Bedliner
- Deck covers
- Ladder & Pipe racks

EAGLE PRO I 2042 9ft Service Body Dimensions



EAGLE PRO I 2042 11ft Crane Body Standard Specifications

Body Materials

- 14 ga A60 galvaneal cabinets with stitch weld construction
- 14 ga A60 galvaneal cabinet floors
- 11 ga A60 galvaneal single panel doors with stainless steel hinges
- 3" C channel long sills run full length
- 12 ga 1.5" x 4" formed cross rails on 14" centers
- 11 ga A60 galvaneal treadplate deck floor

Body Dimensions

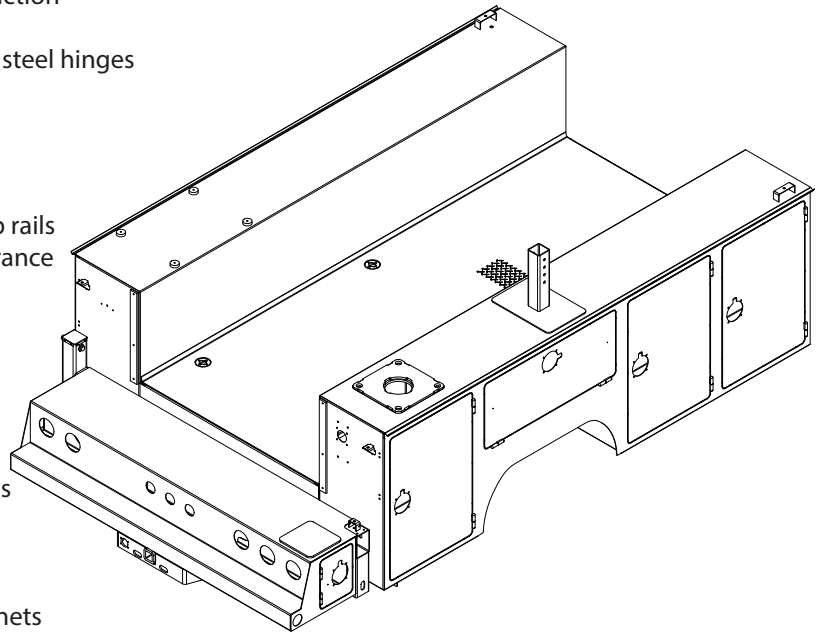
- 95" Max Cabinet width, 98" Overall Body Width @ drip rails
- 20" Overall cabinet depth with 18.5" inside depth clearance
- 42" Overall cabinet height with 36" inside clear height
- 55" x 131" Deck Area
- 24" Deck Side Height
- 18" workbench with full through cabinet, 6" step and integrated vise mount

Standard Features

- Designed for Class 3 to 5 dual rear wheel 84 CA chassis with 13.5 or 19.5 tires & 13K GVW min.
- 20,000 ft-lb crane rating
- Enclosed manual extend outriggers
- Stainless steel full height chip guard on fronts of cabinets
- 107 Cubic feet of storage capacity
- Full length rain gutter over cabinets
- Galvanized infinitely adjustable shelving - 250 lb capacity
- 7 shelf kit
- Stainless steel spring loaded door checks
- 3 Point compression locking D style door handles made of stainless steel
- Handles are polished and are blind mounted with gaskets and are keyed alike
- (4) Flush mounted cargo tie downs - 3500 lb capacity
- Automotive bulb, steelbacked weather stripping between doors and cabinets
- All wiring is point to point seamless and protected in automotive loom. Sealed crimp connections are used to guard against moisture exposure
- Body is fully sanded, chemically washed and prepped prior to paint
- Bodies receive a 3 step Paint Process with PPG Delfleet Polyurethane topcoat - exterior and interior
- Body is fully undercoated
- LED Lights and reflectors are mounted per DOT specifications
- Body mounted back-up alarm
- 2-1/2" Receiver hitch - Class V rated @ 1,800 lbs tongue weight and 1,8000 lbs gross trailer weight
- Standard mounting points for welder
- Mud Flaps

Options

- Rollout Drawers, additional shelves, dividers and bolt bins
- Stainless steel slide in Tailgate or Single Hand fold down tailgate
- Interior and Exterior work lighting - incandescent or LED
- Welders
- Bedliner
- Deck covers
- Ladder & Pipe racks
- Gas Air Compressor



EAGLE PRO I 2042 11ft Crane Body Dimensions

