

## EAGLE PRO I 2359 11ft Crane Body Standard Specifications

### Body Materials

- 11 ga A60 galvaneal cabinets with stitch weld construction
- 11 ga A60 galvaneal cabinet floors
- 11 ga A60 galvaneal single panel doors with stainless steel hinges
- 3" C channel long sills run full length
- 12 ga 1.5" x 4" formed cross rails on 14" centers
- 11 ga A60 galvaneal treadplate deck floor

### Body Dimensions

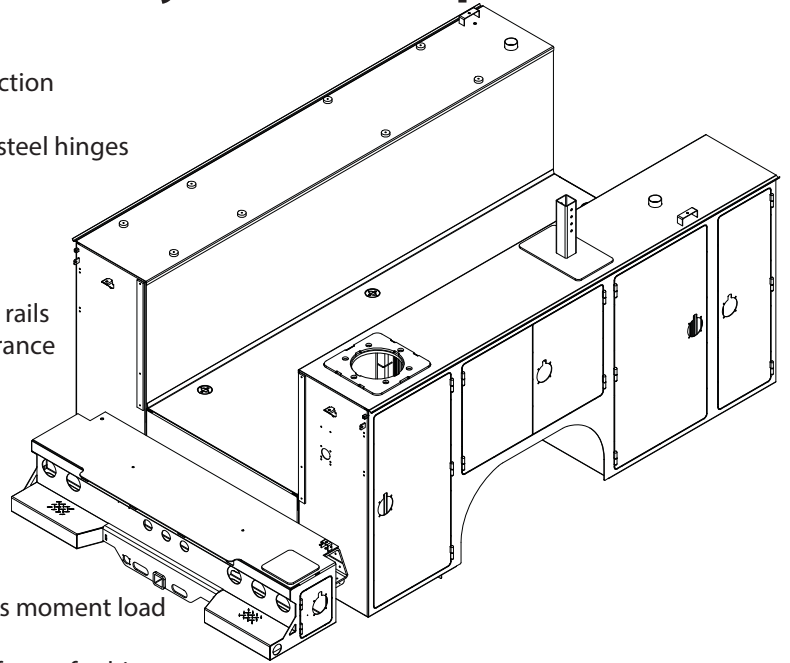
- 96" Max Cabinet width, 98" Overall Body Width @ drip rails
- 23" Overall cabinet depth with 21.5" inside depth clearance
- 59" Overall cabinet height with 52" inside clear height
- 59" tall vented bottle cabinet
- 50" x 134" Deck Area
- 33" Deck Side Height
- 17" workbench with full through cabinet, 8" step and integrated vise mount

### Standard Features

- Body, crane tower, and outriggers rated at 50,000 ft-lbs moment load
- 180 Cubic feet of storage capacity
- Stainless Steel wrap around chip guard full height on front of cabinets
- Full length rain gutter
- Galvanized infinitely adjustable shelving - 250 lb capacity
- 9 Shelf kit
- High Performance cabinet pressurization system with filtered air
- Oxy/Act cabinet is vented, and includes tank brackets for K bottles
- Fully sealed crane tower also functions as a storage cabinet
- 3 point locking door system features blind mounted door handles for security
- Polished stainless steel door handles feature compression latching.
- Outrigger hoses installed internally to eliminate exposure
- (4) Flush mounted cargo tie downs - 3500 lb capacity
- Stainless Steel grab handles
- Stainless Steel spring loaded door checks
- Vise mount on workbench
- Body mounted back-up alarm
- Automotive bulb, steelbacked weather stripping between doors and cabinets
- All wiring is protected in automotive loom
- Logic based electrical system with central fuse and breaker hub
- Body is fully sanded, chemically washed and prepped prior to paint
- 3 step Paint Process with PPG Delfleet Polyurethane topcoat - exterior and interior
- Body is fully undercoated
- LED Lights and reflectors are mounted per DOT specifications
- 2-1/2" Class V receiver hitch rated @ 1,800 lbs tongue weight and 18,000 lbs Gross Trailer Weight
- 7 pole trailer plug
- Standard mounting points for air compressor and welder
- Mud Flaps

### Options

- |                                 |                                  |            |                       |
|---------------------------------|----------------------------------|------------|-----------------------|
| - Rollout Drawers and Bolt bins | - LED Interior/Exterior Lighting | - Bedliner | - Deck Covers         |
| - Gas and Hydraulic Compressors | - All in One Packages            | - Welders  | - Ladder & Pipe racks |



# EAGLE PRO I 2359 11ft Crane Body Dimensions

