



2016

product catalog



Welcome to the Service Trucks International (STI) Eagle Pro product catalog. Inside you will find our complete product lineup, including service & crane bodies. We also offer a complete line of body equipment and accessories including Tiger Cranes, Vanair and VMAC compressors, Enpak All in One Systems, Rollout drawers and Bolt Bins, Lighting Packages, Lube systems, Bedliners and much more. Our sales team will guide you thru each part of spec'ing both the body and the chassis it goes on, ensuring that the final product is designed around your needs.

STI Product Features

What sets STI apart from everyone else?

- Hand crafted with high attention to detail, inside and out
- Extensive list of standard features
- Integrated features and options that are designed to work together
- Factory installation of components and final upfit

Eagle Pro bodies are:

- Designed for upfit on 9.5k to 13k GVW chassis
- Available for pickup box delete and cab chassis mounting
- Service and crane capable models
- Economical and lightweight
- Standard configurations only

CONTENTS

MODEL	DESCRIPTION	PAGE
1440	<i>8 ft Service Body</i>	<i>4</i>
1440	<i>9 ft Service Body</i>	<i>6</i>
2240	<i>9 ft Service Body</i>	<i>8</i>
2240	<i>11 ft Service Body</i>	<i>10</i>
2240	<i>9 ft Crane Body</i>	<i>12</i>
2240	<i>11 ft Crane Body</i>	<i>14</i>
Features		<i>16</i>
Options		<i>18</i>



STANDARD FEATURES

- All Stainless Steel Hardware
- All Galvaneal Steel
- Stainless Front Chipguard
- Infinitely Adjustable Shelving
- Single Point Rotary Door Latches
- Gas Strut Door Holders
- 12" Folding Tailgate
- Cabinet Drip Rails

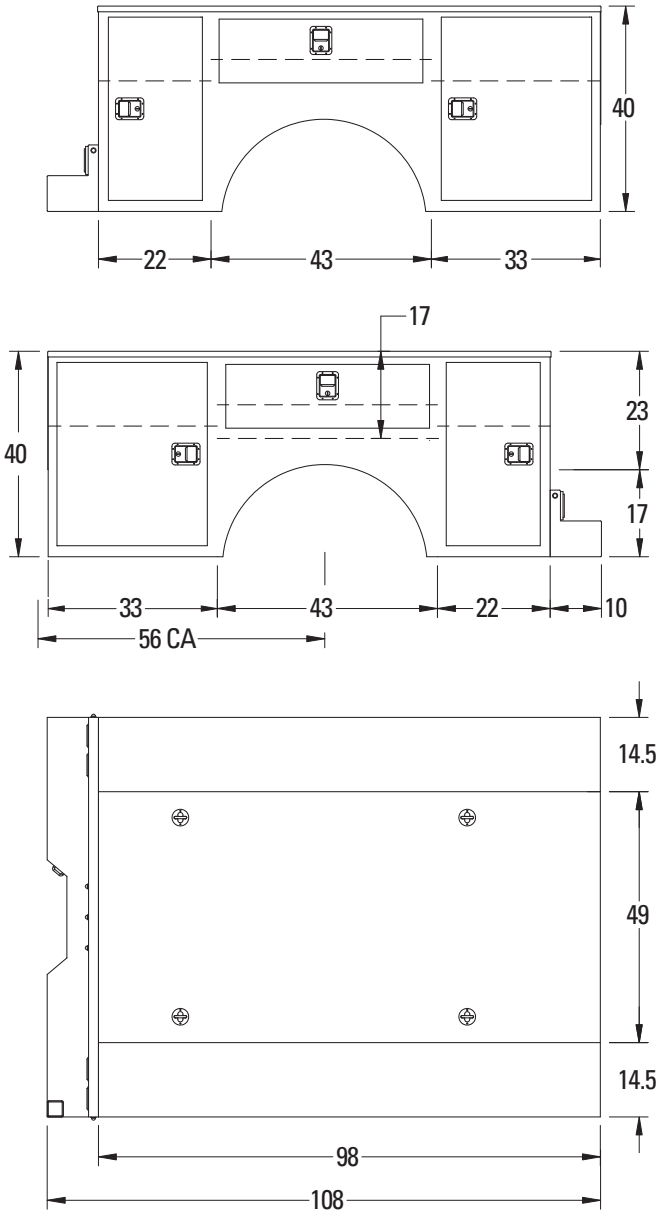
OPTIONS

- Fliptop Compartments
- Rollout Drawers & Bolt Bins
- Interior Lighting
- Bedliner
- Ladder & Pipe Racks
- Deck Covers

SPECIFICATIONS

- 14.5" D x 40" H Cabinets
- 98" L x 78" W Body Dimensions
- 46 cu ft Storage Capacity
- 18 ga Galvaneal Double Panel Doors
- 16 ga Galvaneal Cabinets
- 14 ga Galvaneal Cabinet Tops
- 12 ga Galvaneal - Rigidized Deck
- 5/16 Stainless Steel Door Hinges
- 125 lb Capacity Shelving
- 6 Shelf Kit with Dividers
- 4 Flush Mount Tiedowns
- Powder Coat Finish - Interior & Exterior
- Step Bumper - Powder Coat Finish
- Fully Undercoated
- 9.5k GVW Minimum

DIMENSIONS ALL MEASUREMENTS IN INCHES



To Determine Clear Door Opening, Deduct 6" from the Horizontal and 9" from the Vertical Cabinet Dimensions Shown.



STANDARD FEATURES

- All Stainless Steel Hardware
- All Galvaneal Steel
- Stainless Front Chipguard
- Infinitely Adjustable Shelving
- Single Point Rotary Door Latches
- Gas Strut Door Holders
- 12" Folding Tailgate
- Cabinet Drip Rails

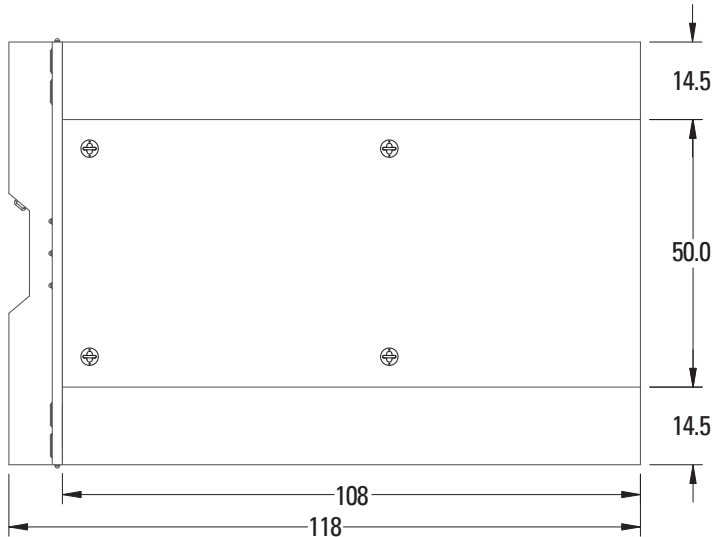
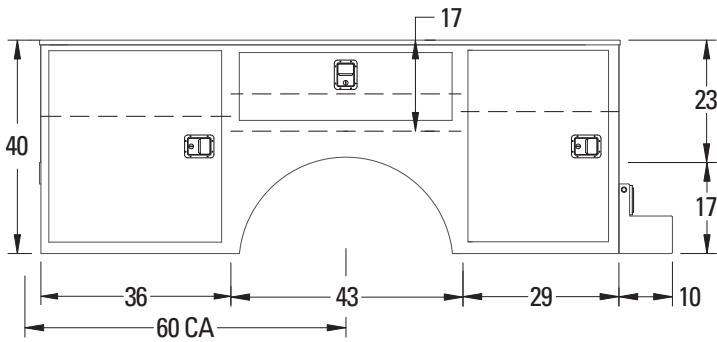
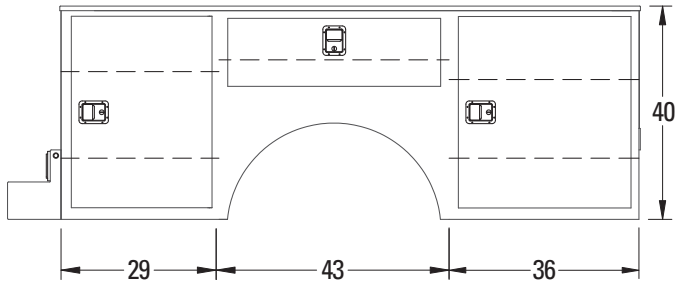
OPTIONS

- Fliptop Compartments
- Rollout Drawers & Bolt Bins
- Interior Lighting
- Bedliner
- Ladder & Pipe Racks
- Deck Covers

SPECIFICATIONS

- 14.5" D x 40" H Cabinets
- 108" L x 79" W Body Dimensions
- 54 cu ft Storage Capacity
- 18 ga Galvaneal Double Panel Doors
- 16 ga Galvaneal Cabinets
- 14 ga Galvaneal Cabinet Tops
- 12 ga Galvaneal - Rigidized Deck
- 5/16 Stainless Steel Door Hinges
- 125 lb Capacity Shelving
- 8 Shelf Kit with Dividers
- 4 Flush Mount Tiedowns
- Powder Coat Finish - Interior & Exterior
- Step Bumper - Powder Coat Finish
- Fully Undercoated
- 2-1/2" Class V Receiver Hitch
- 10.5k GVW Minimum

DIMENSIONS*



To Determine Clear Door Opening, Deduct 6" from the Horizontal and 9" from the Vertical Cabinet Dimensions Shown.

*All measurements in inches



STANDARD FEATURES

- All Stainless Steel Hardware
- All Galvaneal Steel
- Stainless Front Chipguard
- Infinitely Adjustable Shelving
- Single Point Rotary Door Latches
- Gas Strut Door Holders
- 12" Folding Tailgate
- Cabinet Drip Rails

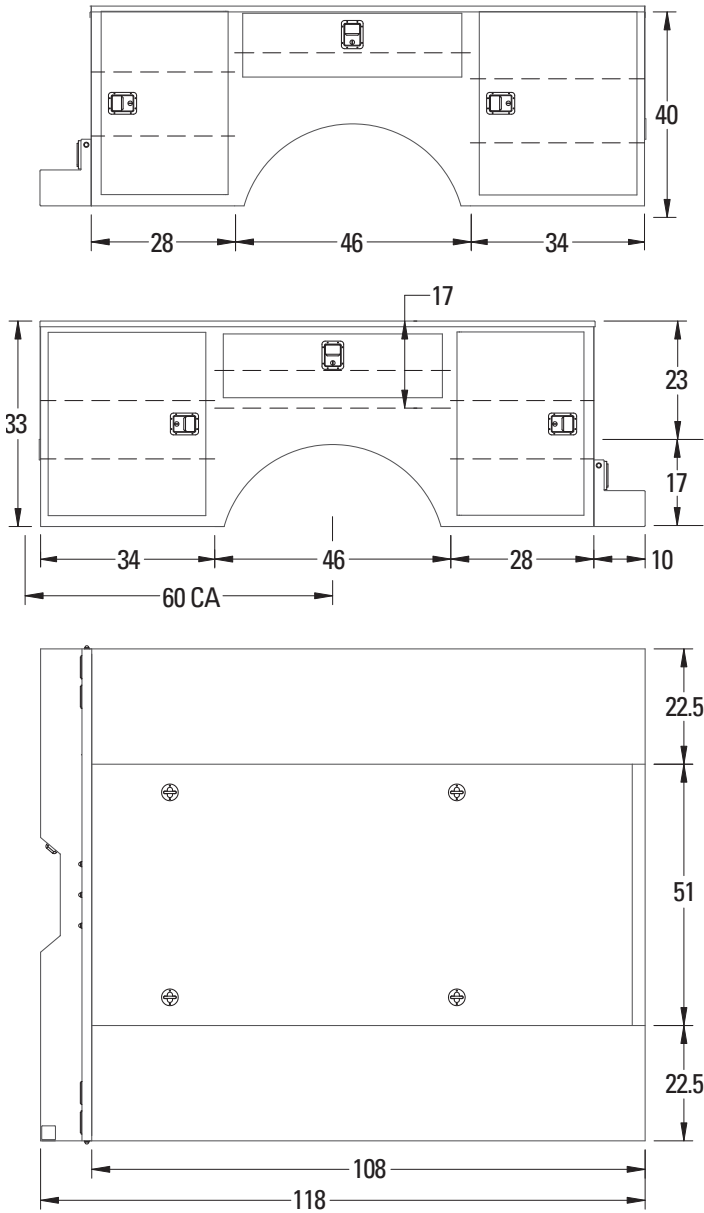
OPTIONS

- Rollout Drawers & Bolt Bins
- Interior Lighting
- Bedliner
- Ladder & Pipe Racks
- Deck Covers

SPECIFICATIONS

- 22.5" D x 40" H Cabinets
- 108" L x 96" W Body Dimensions
- 83 cu ft Storage Capacity
- 18 ga Galvaneal Double Panel Doors
- 16 ga Galvaneal Cabinets
- 14 ga Galvaneal Cabinet Tops
- 12 ga Galvaneal - Rigidized Deck
- 5/16 Stainless Steel Door Hinges
- 250 lb Capacity Shelving
- 10 Shelf Kit with Dividers
- 4 Flush Mount Tiedowns
- Powder Coat Finish - Interior & Exterior
- Step Bumper - Powder Coat Finish
- Fully Undercoated
- 2-1/2" Class V Receiver Hitch
- 13k GVW Minimum

DIMENSIONS



To Determine Clear Door Opening, Deduct 6" from the Horizontal and 9" from the Vertical Cabinet Dimensions Shown.



STANDARD FEATURES

- All Stainless Steel Hardware
- All Galvaneal Steel
- Stainless Front Chipguard
- Infinitely Adjustable Shelving
- Single Point Rotary Door Latches
- Gas Strut Door Holders
- 12" Folding Tailgate
- Cabinet Drip Rails

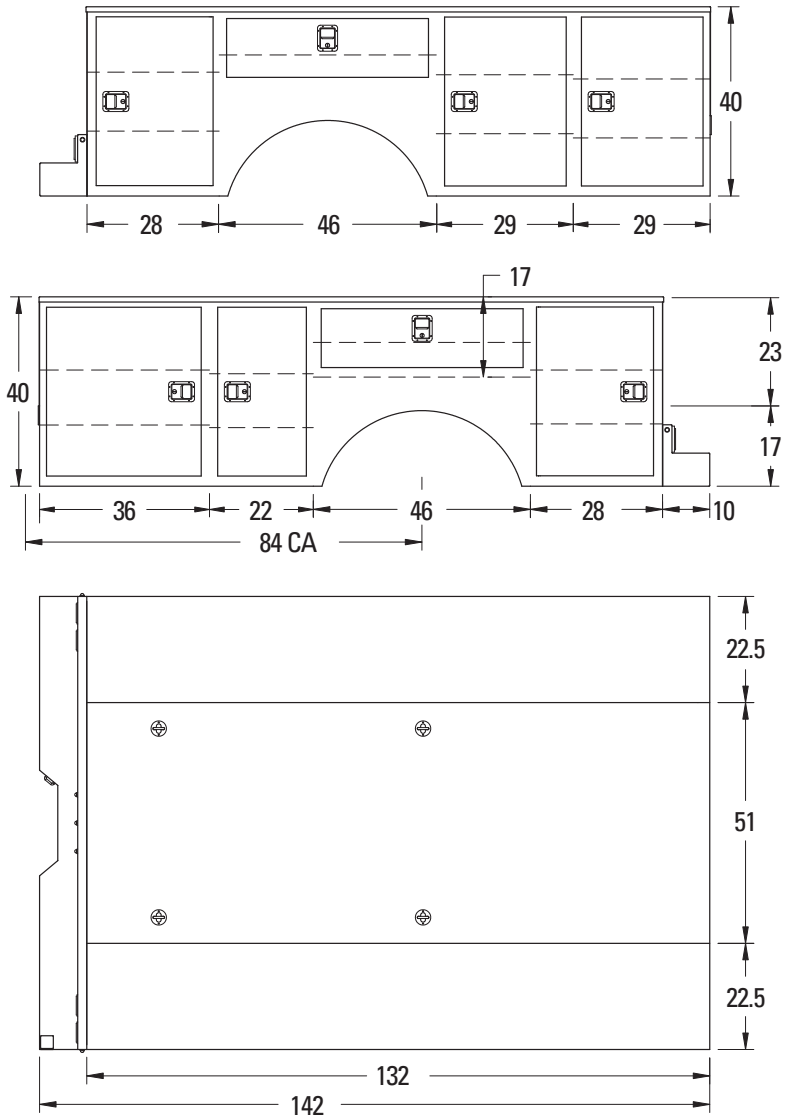
OPTIONS

- Rollout Drawers & Bolt Bins
- Interior Lighting
- Bedliner
- Ladder & Pipe Racks
- Deck Covers

SPECIFICATIONS

- 22.5" D x 40" H Cabinets
- 132" L x 96" W Body Dimensions
- 107 cu ft Storage Capacity
- 18 ga Galvaneal Double Panel Doors
- 16 ga Galvaneal Cabinets
- 14 ga Galvaneal Cabinet Tops
- 12 ga Galvaneal - Rigidized Deck
- 5/16 Stainless Steel Door Hinges
- 250 lb Capacity Shelving
- 14 Shelf Kit
- 4 Flush Mount Tiedowns
- Powder Coat Finish - Interior & Exterior
- Step Bumper - Powder Coat Finish
- Fully Undercoated
- 2-1/2" Class V Receiver Hitch
- 13k GVW Minimum

DIMENSIONS



To Determine Clear Door Opening, Deduct 6" from the Horizontal and 9" from the Vertical Cabinet Dimensions Shown.



STANDARD FEATURES

- All Stainless Steel Hardware
- All Galvaneal Steel
- Stainless Front Chipguard
- Infinitely Adjustable Shelving
- Single Point Rotary Door Latches
- Gas Strut Door Holders
- 12" Folding Tailgate
- Cabinet Drip Rails

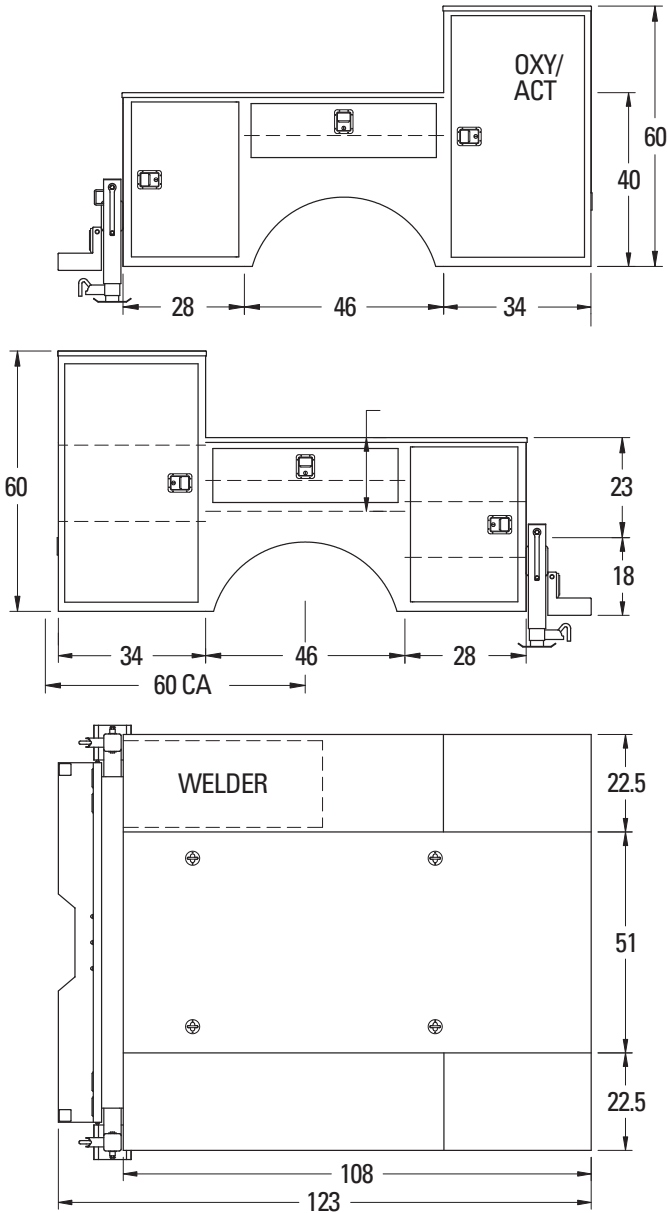
OPTIONS

- Tiger Cranes 2k - 6.5k lb Electric
- Gas Air Compressor
- Welders
- Rollout Drawers & Bolt Bins
- Interior & Exterior Lighting
- Bedliner
- Ladder Racks
- Deck Covers

SPECIFICATIONS

- 22.5" D x 40" H Cabinets
- 108" L x 96" W Body Dimensions
- 100 cu ft Storage Capacity
- 60" H Vented Bottle Cabinet
- 40,000 ft-lb Crane Rating
- Manual Out/Vertical Crank Outriggers
- 18 ga Galvaneal Double Panel Doors
- 16 ga Galvaneal Cabinets
- 14 ga Galvaneal Cabinet Tops
- 12 ga Galvaneal - Rigidized Deck
- 5/16 Stainless Steel Door Hinges
- 250 lb Capacity Shelving
- 6 Shelf Kit
- 4 Flush Mount Tiedowns
- Powder Coat Finish - Interior & Exterior
- Step Bumper - Powder Coat Finish
- Fully Undercoated
- 2-1/2" Class V Receiver Hitch
- 13k GVW Minimum

DIMENSIONS



To Determine Clear Door Opening, Deduct 6" from the Horizontal and 9" from the Vertical Cabinet Dimensions Shown.



EAGLE PRO®



STANDARD FEATURES

- All Stainless Steel Hardware
- All Galvaneal Steel
- Stainless Front Chippguard
- Infinitely Adjustable Shelving
- Single Point Rotary Door Latches
- Gas Strut Door Holders
- 12" Folding Tailgate
- Cabinet Drip Rails

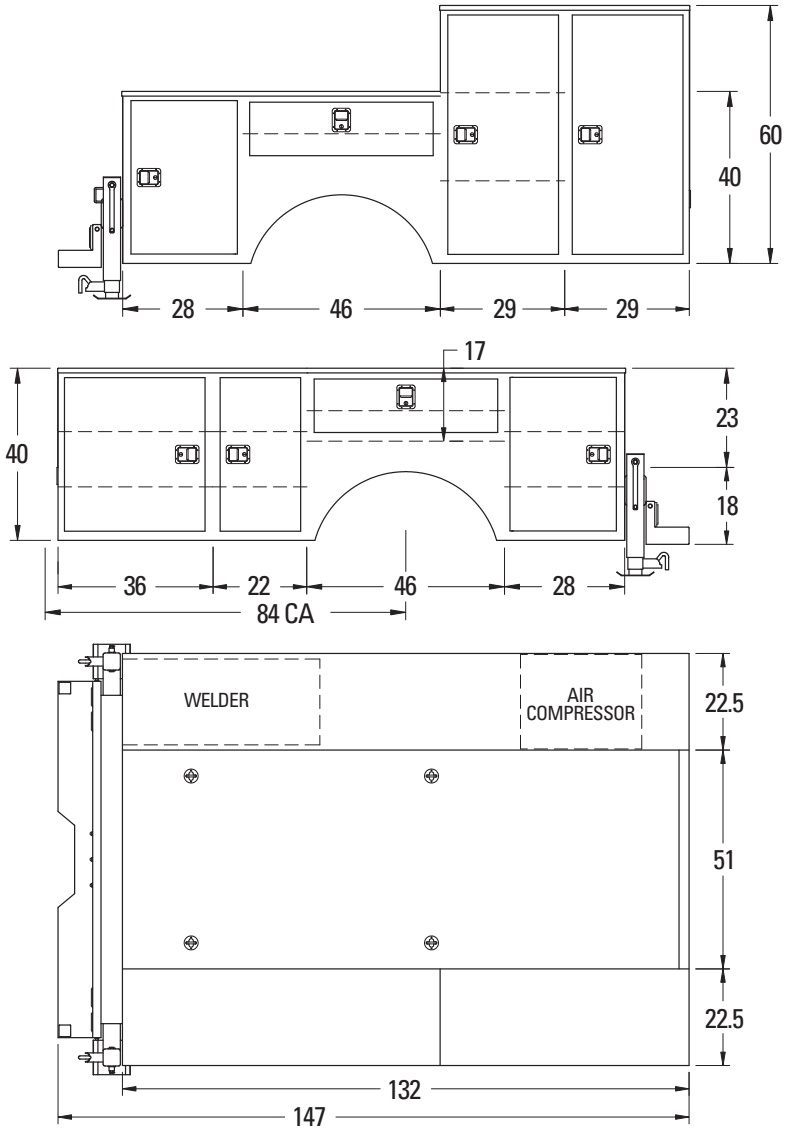
OPTIONS

- Tiger Cranes 2k - 6.5k lb Electric or Hydraulic
- Gas & Hydraulic Air Compressor
- Welders
- Rollout Drawers & Bolt Bins
- Interior & Exterior Lighting
- Bedliner
- Ladder Racks
- Deck Covers

SPECIFICATIONS

- 22.5" D x 40" H Cabinets
- 132" L x 96" W Body Dimensions
- 122 cu ft Storage Capacity
- 60" H Vented Bottle Cabinet
- 40,000 ft-lb Crane Rating
- Manual or Hydraulic Outriggers
- 18 ga Galvaneal Double Panel Doors
- 16 ga Galvaneal Cabinets
- 14 ga Galvaneal Cabinet Tops
- 12 ga Galvaneal - Rigidized Deck
- 5/16 Stainless Steel Door Hinges
- 250 lb Capacity Shelving
- 10 Shelf Kit
- 4 Flush Mount Tiedowns
- Powder Coat Finish - Interior & Exterior
- Step Bumper - Powder Coat Finish
- Fully Undercoated
- 2-1/2" Class V Receiver Hitch
- 16k GVW Minimum

DIMENSIONS



To Determine Clear Door Opening, Deduct 6" from the Horizontal and 9" from the Vertical Cabinet Dimensions Shown.

FEATURES

STAINLESS STEEL FRONT CHIPGUARD



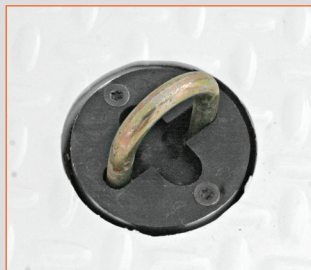
Protects front bottom corner of body from road debris. Brushed finish and edge protector keeps body looking good.

FOLDING TAILGATE



12" folding tailgate with single polished stainless steel latch. Single hand slam action. Tailgate folds flush with deck.

TIEDOWNS



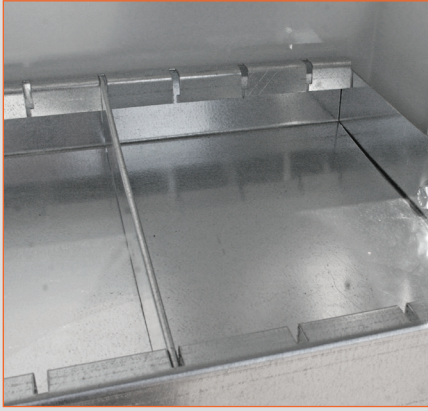
4 hidden deck tiedowns with pull up loops. Tiedowns are flush with floor when not in use. 3500 lb rated pull capacity.

DOOR HARDWARE



Polished Stainless Steel paddle door handles with 2 position slam action rotary latches and single point engagement. Stainless steel rod and socket hinge system is maintenance free and allows for easy door removal.

SHELVING SYSTEM 1440



Infinitely adjustable shelving with slots for dividers. Single rail mount with 125 lb capacity. 2 dividers per shelf.

SHELVING SYSTEM 2240



Infinitely adjustable shelving. Double rail mount with 250 lb capacity. 2" lip for cargo retention.

DOOR HOLDERS



Gas strut door holders keep doors in either open or closed position. Standard equipment on all vertical doors.

STEP BUMPER WITH VISE MOUNT



Bolt on step bumper with black lava powder coat and 2 vise sockets. Receiver hitch is independent from bumper and mounted directly to chassis. LED stop/turn/tail lights.

OPTIONS

FLIPTOPS



Available on Streetside, Streetside and Curbside or none. Incabinet latch for security. Includes gas strut openers, adjustable dividers and stainless steel hinges. (Model 1440 only)

SOFT COVER



Soft covers provide weather resistance and load security. Rollup design with Velcro fastening. Includes fold down rear flap to integrate with tailgate. Will work with fliptop cabinets.



LADDER RACK



KargoMaster Pipe and Ladder Racks are available for both 1440 and 2240 service bodies. Racks are built with 2" Dia. x .083" steel tube and have a 1700 lb capacity. 62" load space is the widest available. High gloss black marine grade powder coat specially formulated to resist corrosion and abrasion. Will fit on bodies with and without flitops. Additional accessories available.

ROLLOUT DRAWERS



Eagle Pro aluminum (1440) or steel (2240) drawer systems offer high strength tool and part storage for your body. Aluminum drawers feature 250 lb capacity drawers, and steel drawers have 500 lb capacity. Each drawer has a lockable T handle and is removable and comes with dividers. Drawers can also be configured to your exact needs.

ABOUT STI

ServiceTrucks International (STI), a wholly owned division of Sioux Automation Center Inc, has been crafting high quality service bodies since 1985. Specializing in high quality mobile service products, STI strives to meet the needs of operators and retailers of heavy equipment used in mining, road, commercial and residential construction, site prep and land clearing, agricultural equipment, the oil & gas industry and local, state and federal government.

Based in Sioux Center IA, STI manufactures Eagle Pro bodies as well as a complete line of telescoping service cranes under the Tiger Crane brand name. STI markets equipment thru both direct and distributor channels in the United States, Canada, Mexico, as well as international markets.



877 1st Ave NW | Sioux Center, Iowa 51250 | 800.225.8789
fax 712.722.3706 | servicetrucks.com