

EAGLE PRO II 2252 11ft Service Body Standard Specifications

Body Materials

- 11 ga A60 galvaneal cabinets with continuous weld construction
- 11 ga A60 galvaneal single panel doors with stainless steel hinges
- 11 ga rigidized A60 galvaneal deck plate and bumper
- rigidized A60 galvaneal cabinet overlay
- 5" structural C channel long sills run full length
- 10 ga 2x4 formed C channel cross rails on 12" centers
- 1/4" workbench top

Body Dimensions

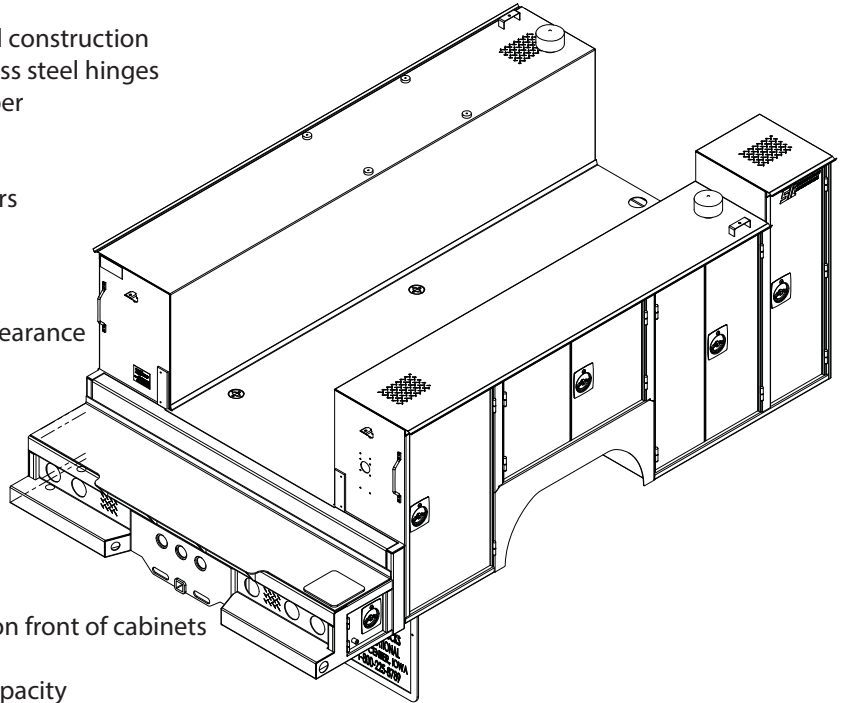
- 95" Overall Body Width
- 22" Overall cabinet depth with 20.5" inside depth clearance
- 52" Overall cabinet height
- 60" Raised Oxygen Acetylene cabinet
- 51" x 132" Deck Area
- 31" Deck Side Height
- 7" step Treadplate Bumper
- 22" Workbench with finished full through cabinet

Standard Features

- 152 Cubic feet of storage capacity
- Stainless Steel wrap around chip guard full height on front of cabinets
- Full length rain gutter
- Galvanized infinitely adjustable shelving - 250 lb capacity
- 9 Shelf kit
- High Performance cabinet pressurization system with filtered air
- Oxy/Act cabinet is vented, and includes tank brackets for K bottles
- Fully sealed crane tower also functions as a storage cabinet
- 3 point locking door system features blind mounted door handles for security
- Polished stainless steel door handles feature compression latching.
- (4) Flush mounted cargo tie downs - 3500 lb capacity
- Stainless Steel grab handles
- Stainless Steel spring loaded door checks
- Vise mount on workbench
- Body mounted back-up alarm
- Automotive bulb, steelbacked weather stripping between doors and cabinets
- All wiring is protected in automotive loom
- Logic based electrical system with central fuse and breaker hub
- Body is fully sanded, chemically washed and prepped prior to paint
- 3 step Paint Process with PPG Delfleet Polyurethane topcoat - exterior and interior
- Body is fully undercoated
- LED Lights and reflectors are mounted per DOT specifications
- 2" Class IV receiver hitch rated @ 1,000 lbs tongue weight and 10,000 lbs Gross Trailer Weight
- 7 pole trailer plug
- Standard mounting points for air compressor and welder
- Mud Flaps

Options

- Rollout Drawers and Bolt bins
- LED Interior/Exterior Lighting
- Bedliner
- Deck Covers
- Gas and Hydraulic Compressors
- All in One Packages
- Lube Kits



EAGLE PRO II 2252 11ft Crane Body Dimensions

