



TIGER CRANES

Model 6542EP Specifications

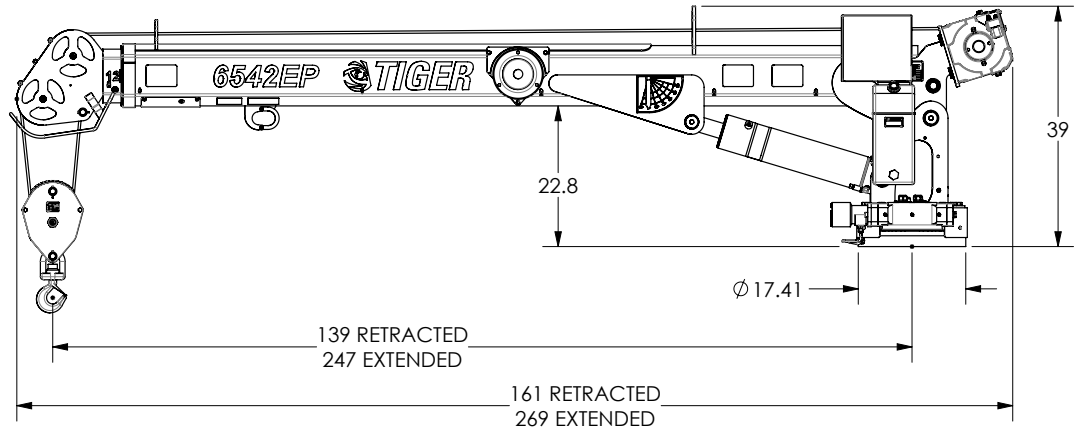
Model 6542EP Specifications

Dimensional Specifications:

- 21' Reach
- 12-21' Hydraulic boom extension
- 18.5' Lifting height
- 39" Storage height
- 161" Overall storage length
- Ø18" Mounting space required
- 6 Bolt mounting pattern
- 3/8" X 120' hoist cable
- 1500 lbs. Operating weight
- Ø29" Rotation clearance required

Performance Specifications:

- 40,000 ft-lb crane rating
- 43,200 ft-lb maximum crane lifting moment
- 6,500 lb double line lift capacity
- 400 degrees of rotation
- -15 degrees to +73 degrees Boom Angle
- Hoist performance



LINE LOAD	LINE SPEED
0 lbs	23 FPM
1200 lbs	19 FPM
2400 lbs	17 FPM
3250 lbs	15 FPM

Standard Features:

- Wireless pistol grip control with high resolution LCD display for load percentage and diagnostics. Dual joysticks for selecting hydraulic/electric functions with proportional control trigger. Also includes horn, boom lights, compressor, engine start/stop, engine speed control, and 2 auxiliary switches.
- 33' tether cable included for operation without batteries or in areas where radio transmission is not allowed
- Low profile anti-two-block protection
- Overload protection
- 10 VDC cartridge valves with manual overrides
- Boom mounted electric planetary hoist for easier stowing
- Stationary rotator gearcase
- Sealed crane turret
- Low profile jib head
- Hydraulic cylinders equipped with counterbalance safety valves
- PPG Delfleet polyurethane paint
- Designed to meet the requirements of ANSI/ASME B30.5 (2018) and OSHA 1910.180.

Optional Features:

- Self-leveling LED boom tip lights controlled by remote

Minimum Chassis/Power Requirements:

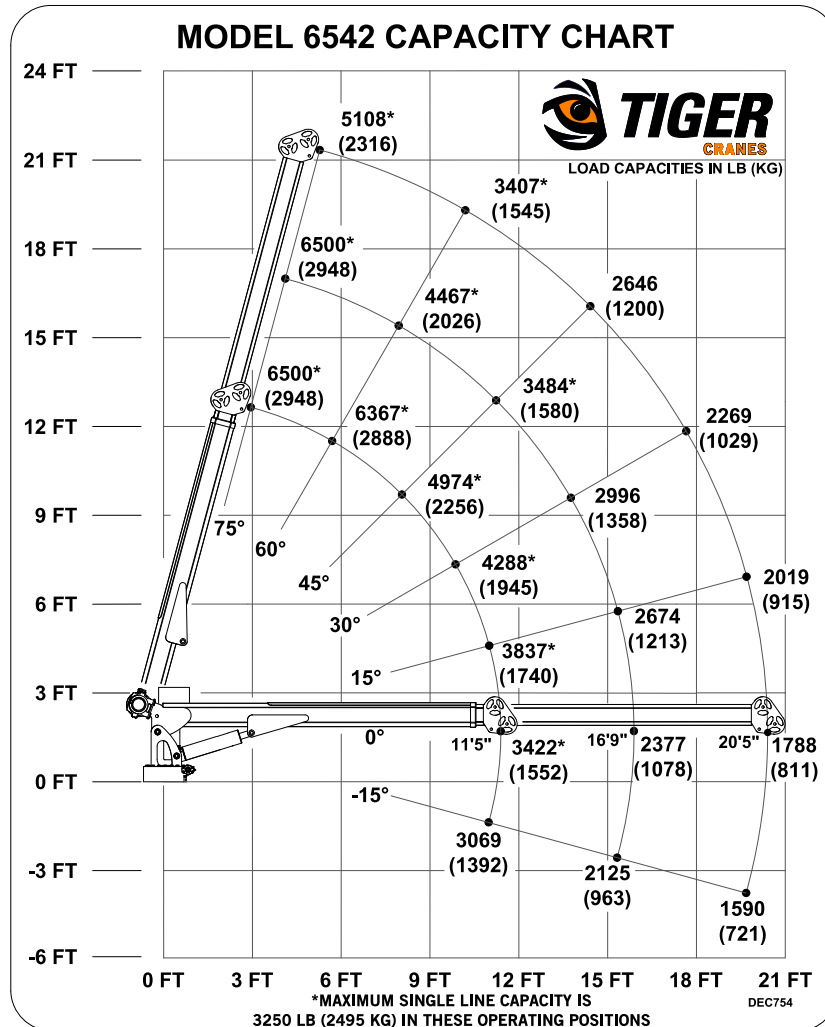
- 14,500 lbs. GVW rating
- 84" Cab to axle
- 300,000 in-lb Frame RBM
- 40,000 ft-lb rated outrigger
- 200 Amp alternator
- 700 Cold cranking amp battery



TIGER

CRANES

Model 6542EP Specifications



Bolt Hole Pattern

